

SLAB THICKNESS SCHEDULE:-

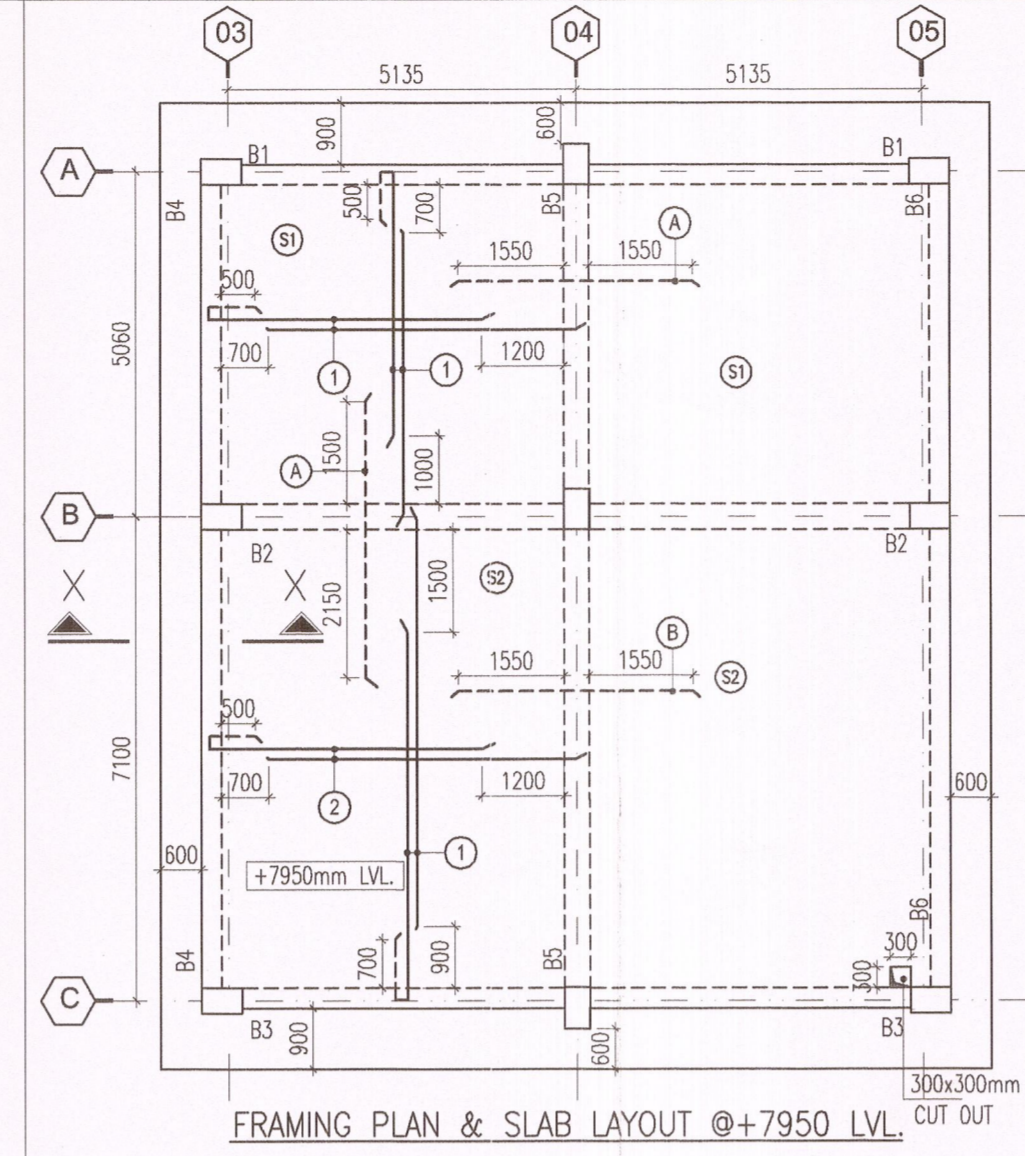
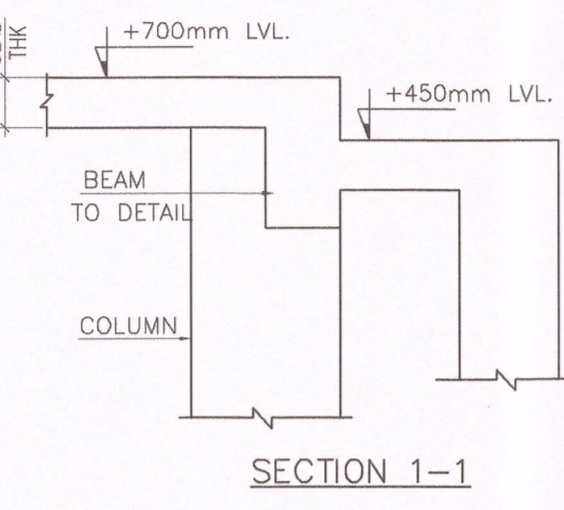
No	THICKNESS
(S1) (S2) (S3) (S4) (S5)	200 THICK
(S6) (S7)	300 THICK

BEAM SIZE SCHEDULE

BEAM MARK	BEAM SIZES
BEAM B1	380X600
BEAM B2	380X600
BEAM B3	300X600
BEAM B4	380X600

BEAM SIZE SCHEDULE

BEAM MARK	BEAM SIZES
BEAM PB1	300X400



SLAB REINFORCEMENT SCHEDULE

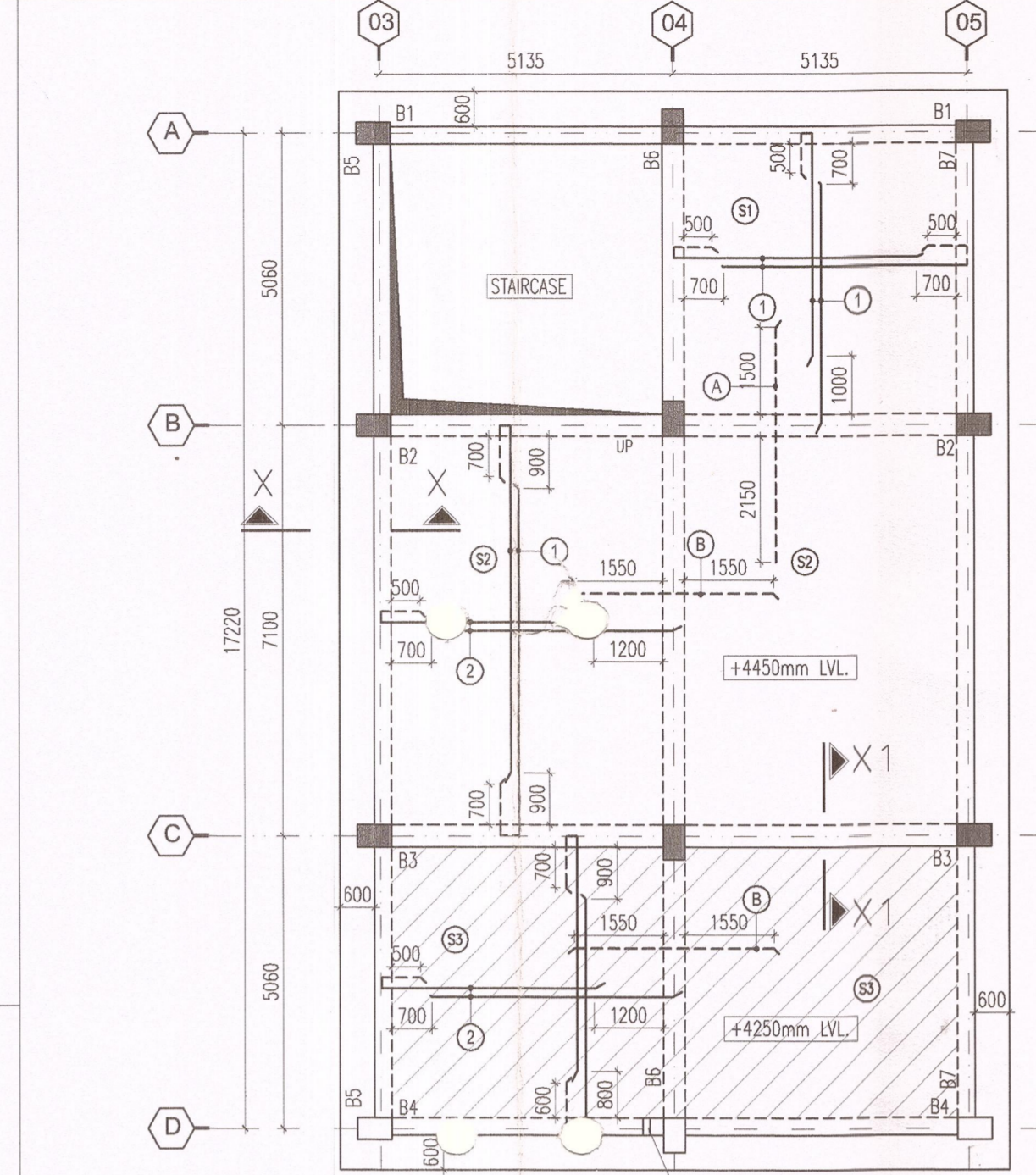
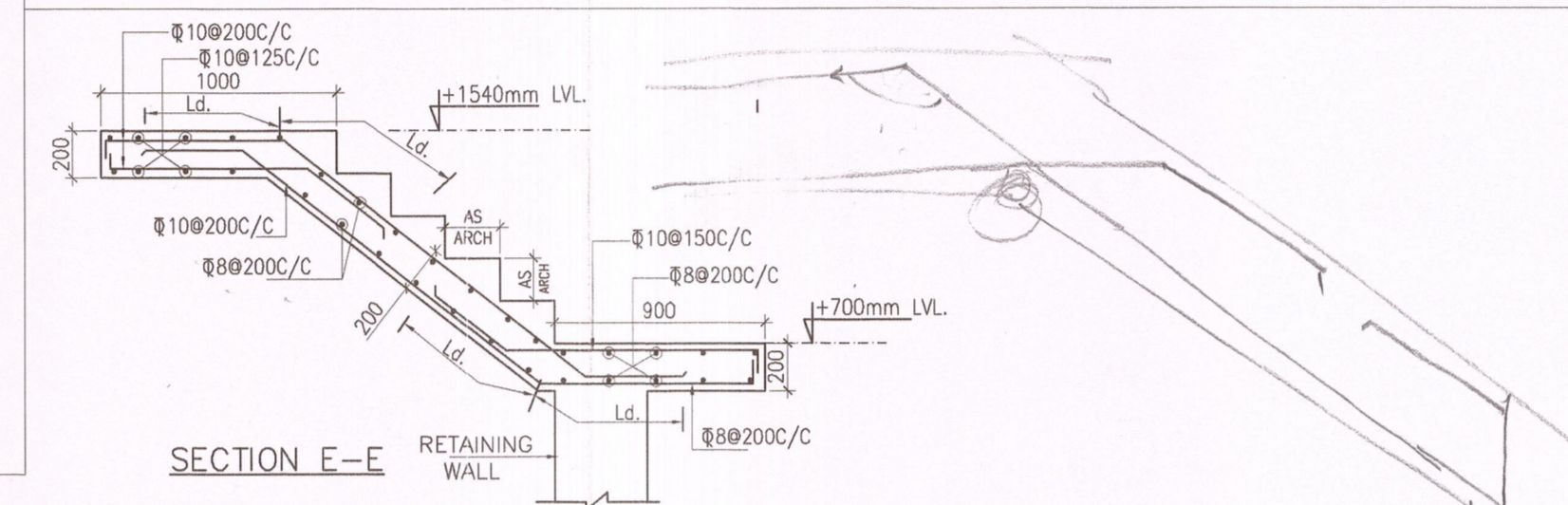
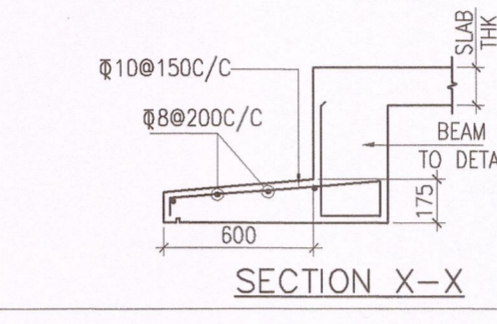
BOTTOM REINF		TOP. REINF	
(1)	10@200/C	(A)	10@150C/C
(2)	10@150C/C	(B)	10@125C/C
(3)	8@150C/C	(C)	10@200C/C
(4)	8@200C/C	(D)	10@100C/C
(5)	10@125C/C	(E)	12@100C/C
(6)	12@100C/C		

BEAM SIZE SCHEDULE

BEAM MARK	BEAM SIZES
BEAM B1	300X600
BEAM B2	380X600
BEAM B3	300X600
BEAM B4	300X600
BEAM B5	380X600
BEAM B6	300X600

SLAB THICKNESS SCHEDULE:-

No	THICKNESS
(S1) (S2)	200 THICK

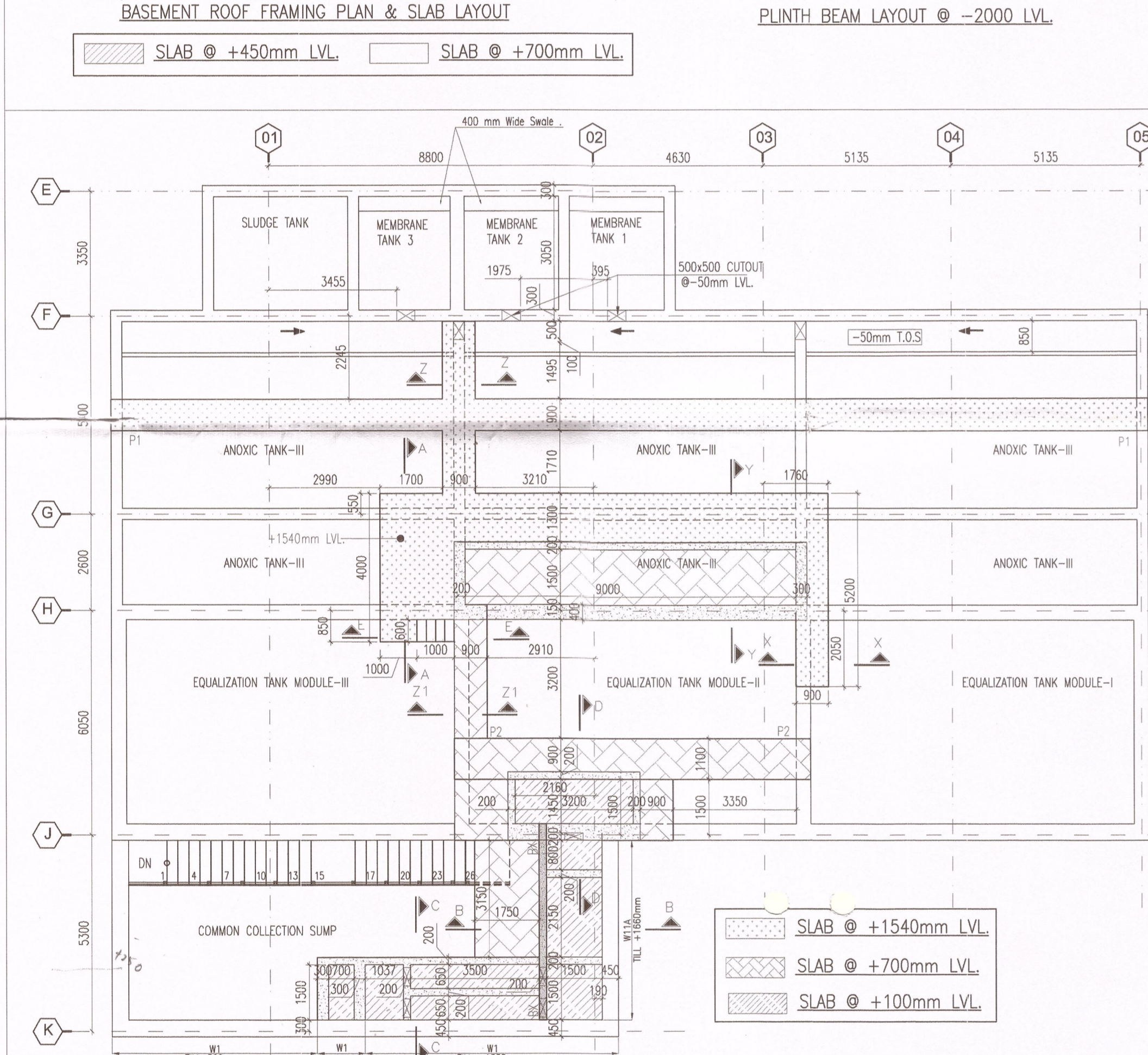
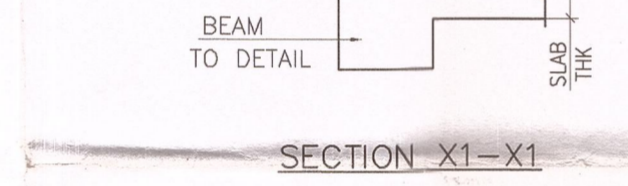


BEAM SIZE SCHEDULE

BEAM MARK	BEAM SIZES
BEAM B1	300X600
BEAM B2	380X600
BEAM B3	380X600
BEAM B4	300X600
BEAM B5	300X600
BEAM B6	380X600
BEAM B7	300X600

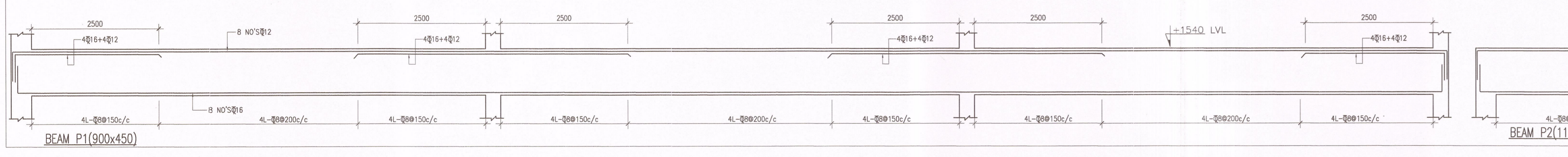
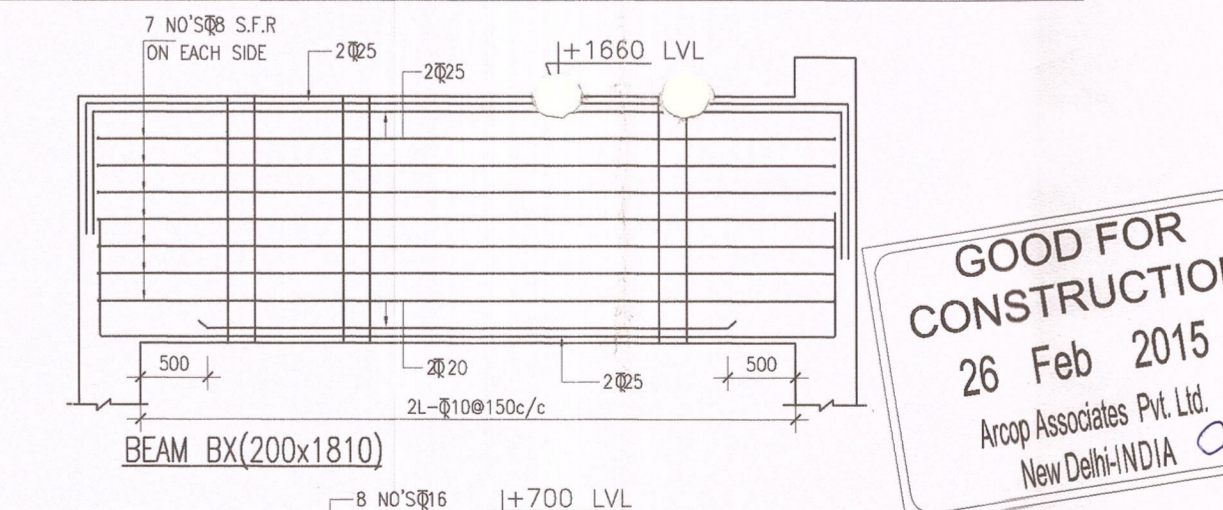
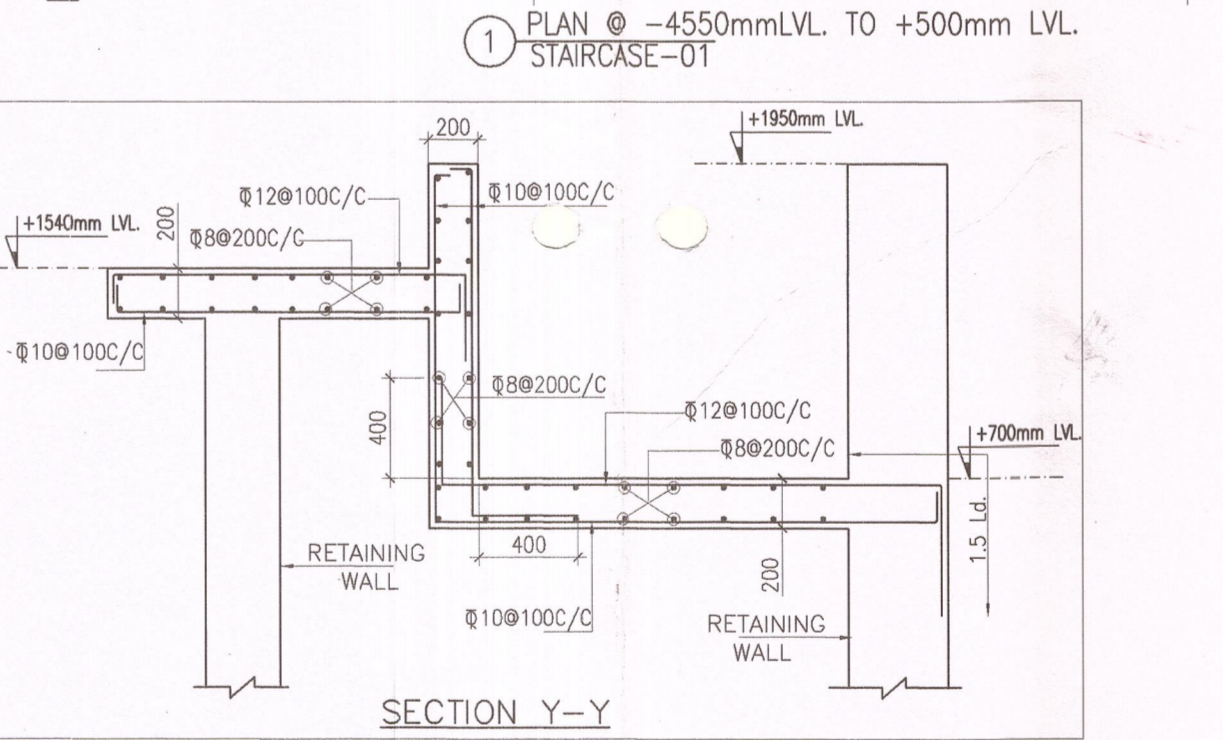
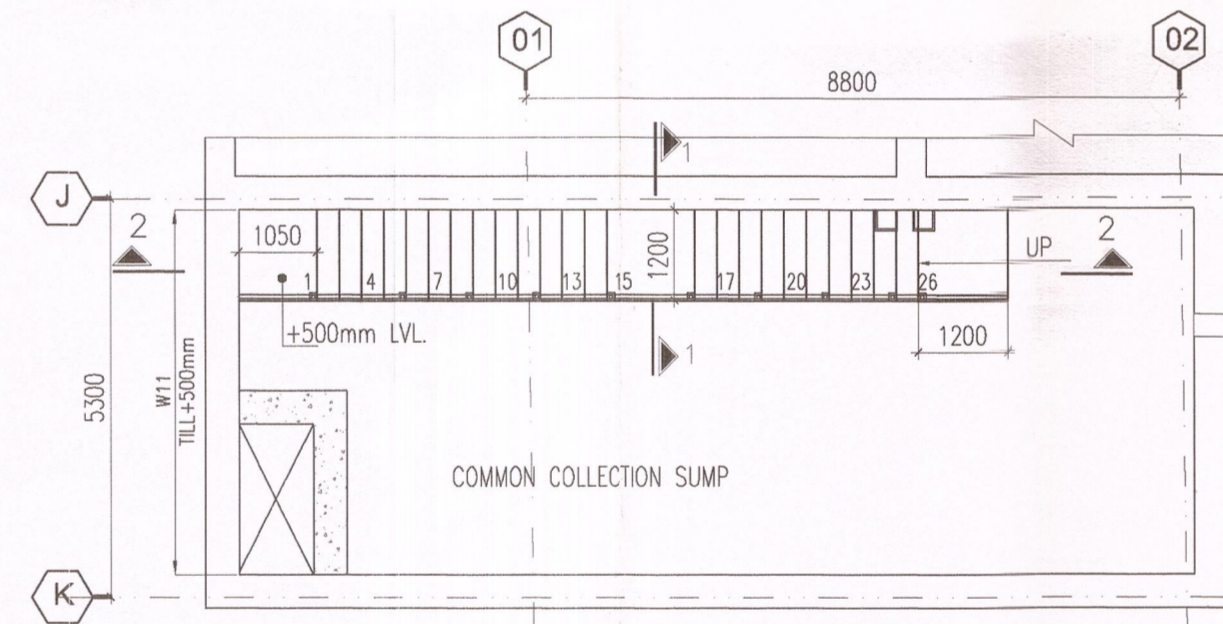
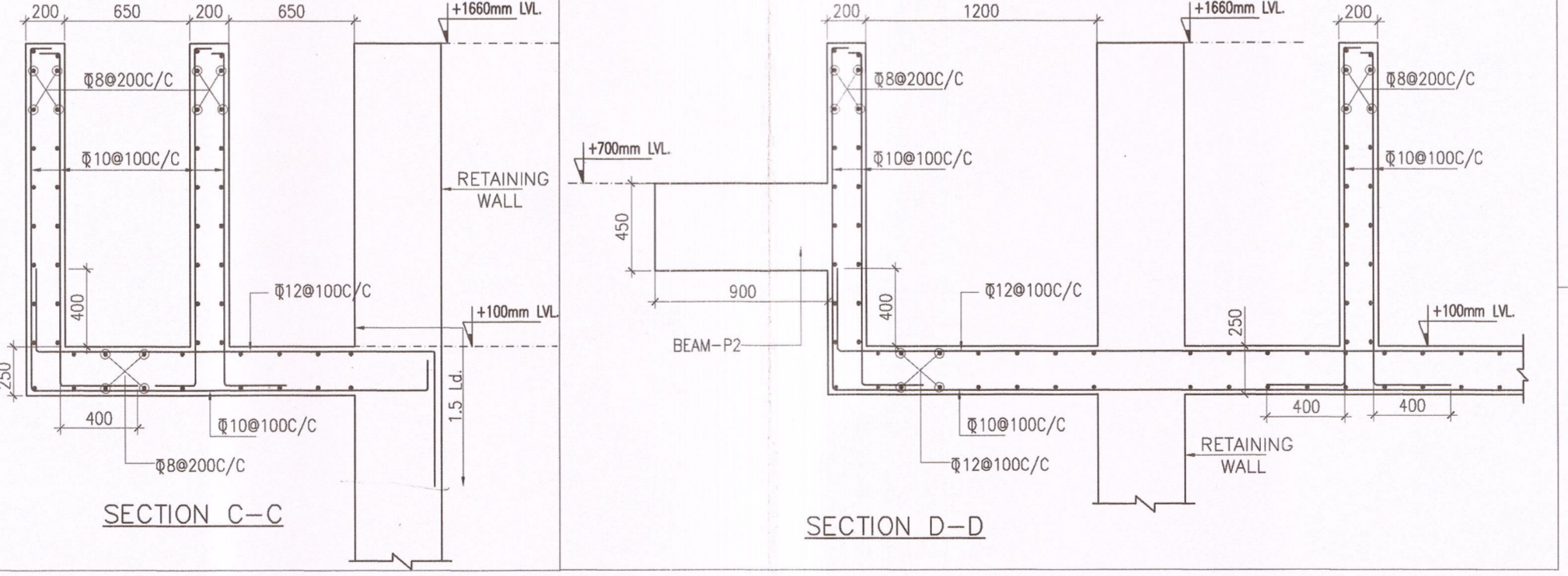
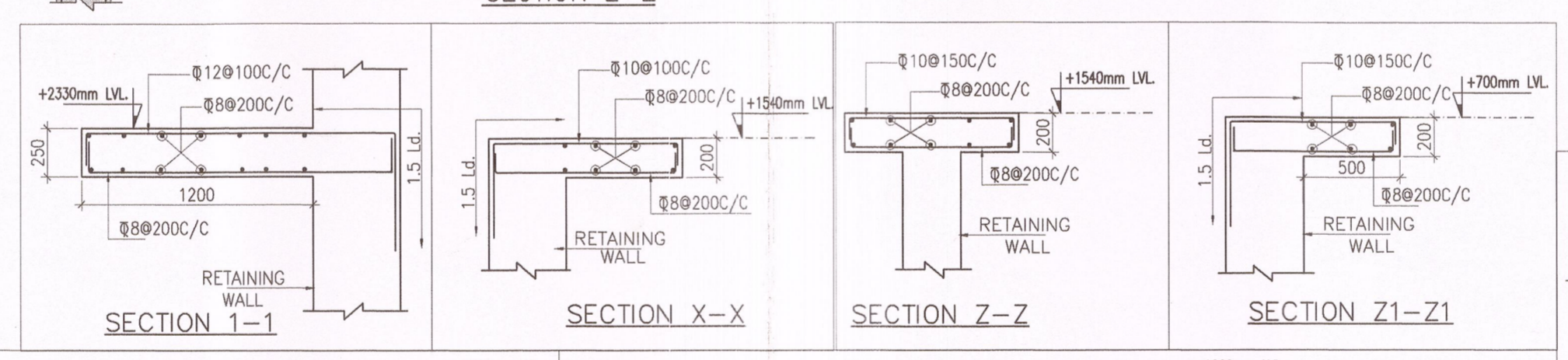
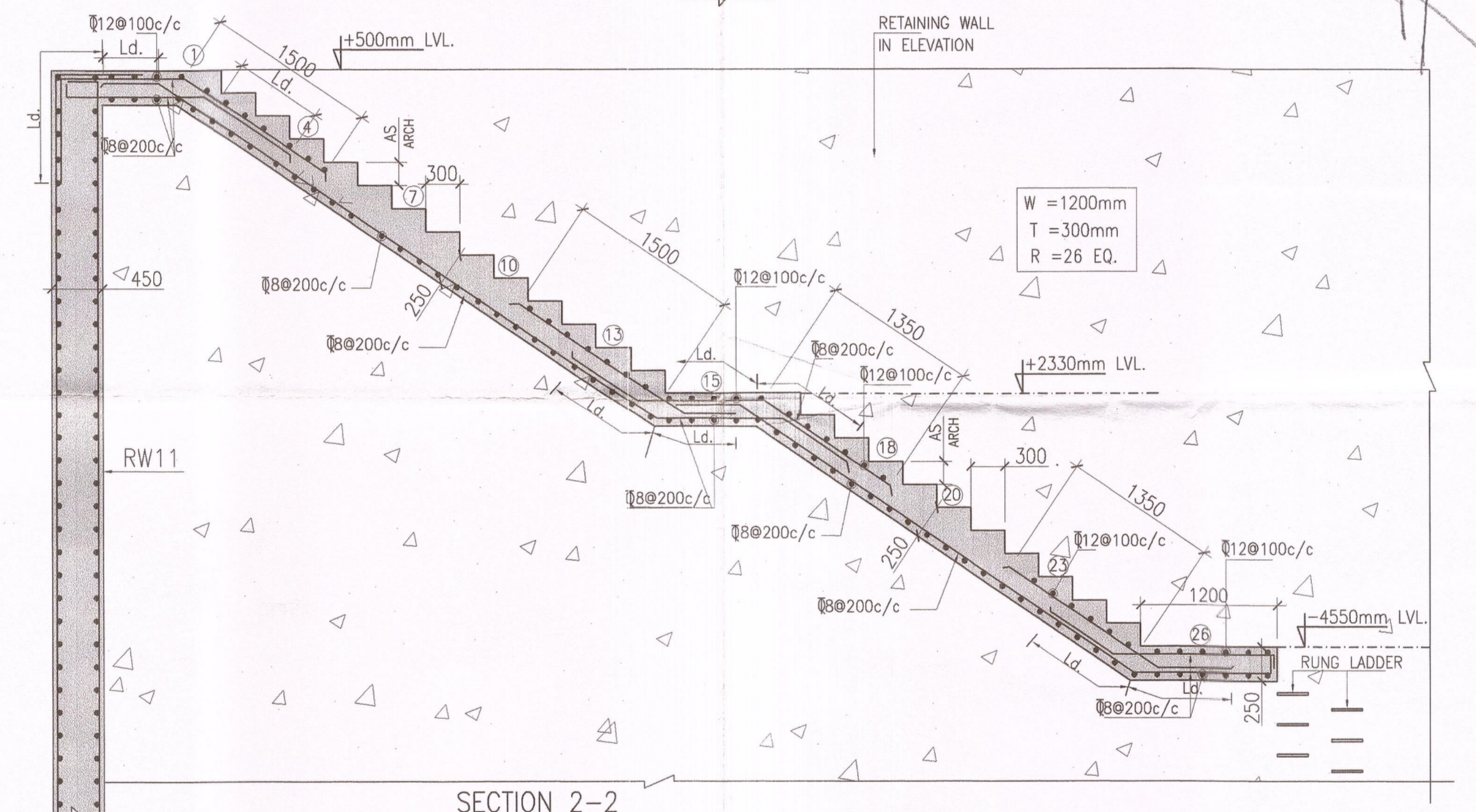
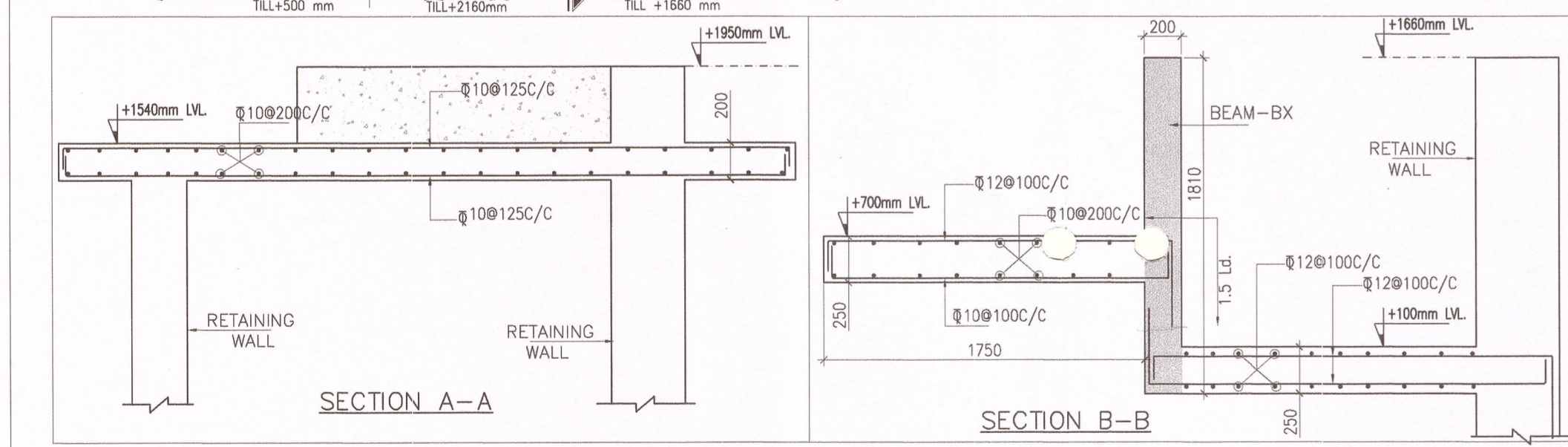
SLAB THICKNESS SCHEDULE:-

No	THICKNESS
(S1) (S2) (S3)	200 THICK



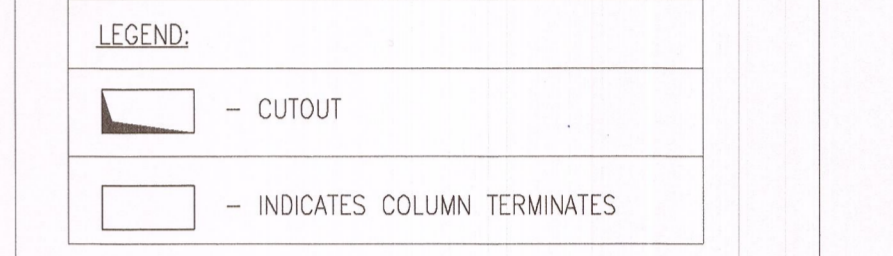
SLAB THICKNESS SCHEDULE

SLAB	THICKNESS
SLAB @ +1540mm LVL	200 THICK
SLAB @ +700mm LVL	200 THICK
SLAB @ +100mm LVL	200 THICK



- NOTES :-**
- ALL DIMENSIONS ARE IN MM ONLY, UNLESS OTHERWISE SPECIFIED.
 - DO NOT SCALE THE DRAWING FOLLOW FIGURED DIMENSIONS ONLY.
 - PROVIDE A LAP LENGTH OF 40TMS DIA OF SMALLER BARS WHEREVER LAPPING IS NEEDED.
 - READ THIS DRG. ALONG WITH ARCHITECTURAL DRG. IN CASE OF ANY DISCREPANCY BEING NOTED IT SHALL BE IMMEDIATELY BROUGHT TO THE NOTICE OF THE CONSULTANT BEFORE COMMENCING THE WORK.
 - THE CLEAR COVER SHOWN IN TABLE BELOW SHALL BE FROM THE OUTER FACE OF THE STRUCTURAL ELEMENT TO THE TIES FOR BEAMS.

ITEM	GRADE OF CONCRETE	GRADE OF STEEL	CLEAR COVER
BEAMS	M45	Fe500	25 mm
SLABS	M45	Fe500	20 mm



IMPORTANT NOTE:
STAIRCASE IS CANTILEVERED FROM THE RETAINING WALL

RELEASED FOR CONSTRUCTION
26 FEB 2015
SIGN. TECHNICAL PROJECTS CONSULTANTS PVT LTD

CLIENTS
Indian Institute of Technology(IIT) Hyderabad,
Ordnance Factory Estate,
Yeddumallaram-502205,
Andhra Pradesh, INDIA

ARCHITECTS & PLANNERS
ARCO ASSOCIATES PVT. LTD.
E-106, G.K. ENCLAVE PART 1
NEW DELHI 110048
PHONE: 011-26242050
FAX: 011-26242035

Structures
TECHNICAL PROJECTS CONSULTANTS
DELHI OFFICE: HYDERABAD OFFICE:
E-2, CHURCH COMPLEX, SUKHDEV VIHAR, NEW DELHI-110025
FLAT NO 503, 5TH FLOOR, SRIVATSASA APARTMENTS, METHODIST COLONY, BEGUMPET, HYDERABAD-500016;
TEL:-26823309, 26318650 TEL: (0091) 040-33574812
FAX: 011-26910652

Architect's Signature: _____
Client's Signature: _____
26 FEB 2015

Job Title
IITH EXTERNAL SERVICES BUILDINGS

Drawing Title
**MBR BASED SEWER TREATMENT PLANT
STP FRAMING PLAN & SLAB LAYOUT**

Document Release Type
GOOD FOR CONSTRUCTION

Job No.	2012/09	N
Scale	1:100	
Date	01-12-2014	Drawing No.
Drawn by	MAHESWARI	ES-STP-02
Checked by	CHARY	Revision No.
AUTHORITY:		RO

GOOD FOR CONSTRUCTION
26 Feb 2015
Arco Associates Pvt. Ltd.
New Delhi-INDIA